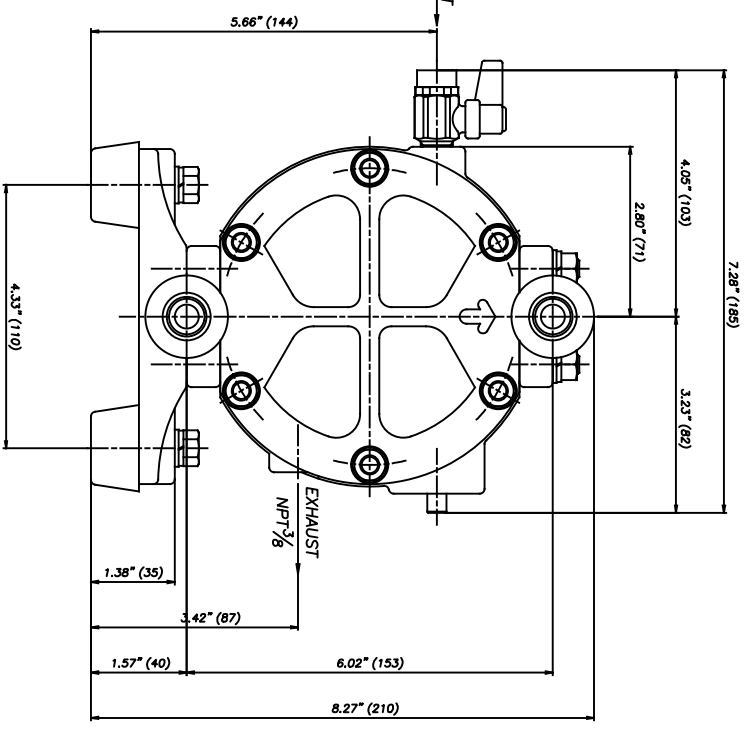
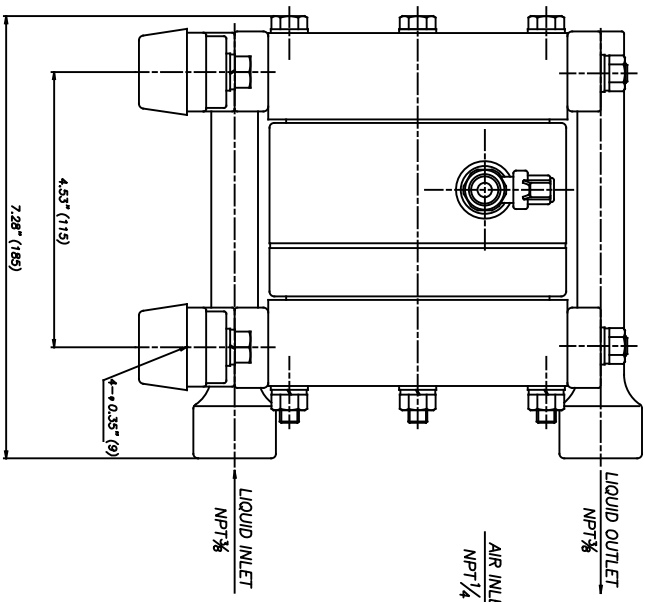
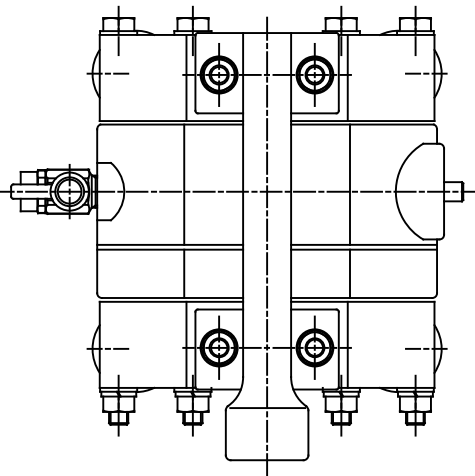


REVISIONS			
REV	DESCRIPTION	DATE	APPROVED
A	RELEASED		



NOTES:
1. SOME FEATURES MAY VARY SLIGHTLY.

PROPRIETARY
THIS DRAWING CONTAINS CONFIDENTIAL INFORMATION PROPRIETARY TO IWAKI AMERICA. IT MUST NOT BE REPRODUCED OR FORWARDED TO OTHERS OR USED IN ANY OTHER WAY, IN WHOLE OR IN PART, UNLESS AUTHORIZED IN WRITING BY IWAKI AMERICA.

TOLERANCES
DIMENSIONS IN INCHES (MM)
UNLESS OTHERWISE NOTED
XX = .010
XXX = .005
GENERAL AND SPECIFIC ALL SHARP EDGES

IWAKI AIR
www.iwakiAir.com
5 Boynton Rd.
Hopping Brook Park
Holliston, MA 01746
(508) 429-1440

BY	BW	DATE	3/13/2026	SIZE	B	DWG NO.	TC-X00221	DESCRIPTION	TC-X100G	REV	A
APPROVED		DATE		SCALE:	FULL			THIRD ANGLE PROJECTION		SHEET:	1 OF 1